

## Vacuum valve (weight loaded)

**12504,12818,12819**

---

Vacuum valves are used in the food or drink, pharmaceutical and chemical industries. They are used for protection against a negative pressure in tanks and other enclosed systems.

Valve type 12504 is characterized by:

- weight-loaded vacuum valve
- with welding flange or direct installation in the manhole cover
- easy-to-service two-part valve housing
- valve housing with guided valve disc
- wide range of sizes for hot or cold cleaning
- cleanable valve seat area
- optionally available with a pneumatic lifting / CIP, seat heating



### Product range

Materials	stainless steel 1.4307, 1.4404, 1.4541
Gaskets	EPDM, FDA proof
Surface	0.8 - 1.2 µm

### Other parts

Materials	stainless steel 1.4307
Surface	precision turned

### Production

Fluids (nontoxic)	Fluids/gases/steam (Group II, PED 2014/68/EU)
Set pressure	Vacuum 3 – 5 mbar, with special weights up to 500 mbar
Counter pressure	depressurized tank, max. 0.1 -0.2 bar
Control air	5 - 8 bar, Ø 6/4
Stroke	3 - 4 mm
Temperature	0 - 95 °C / 140 °C

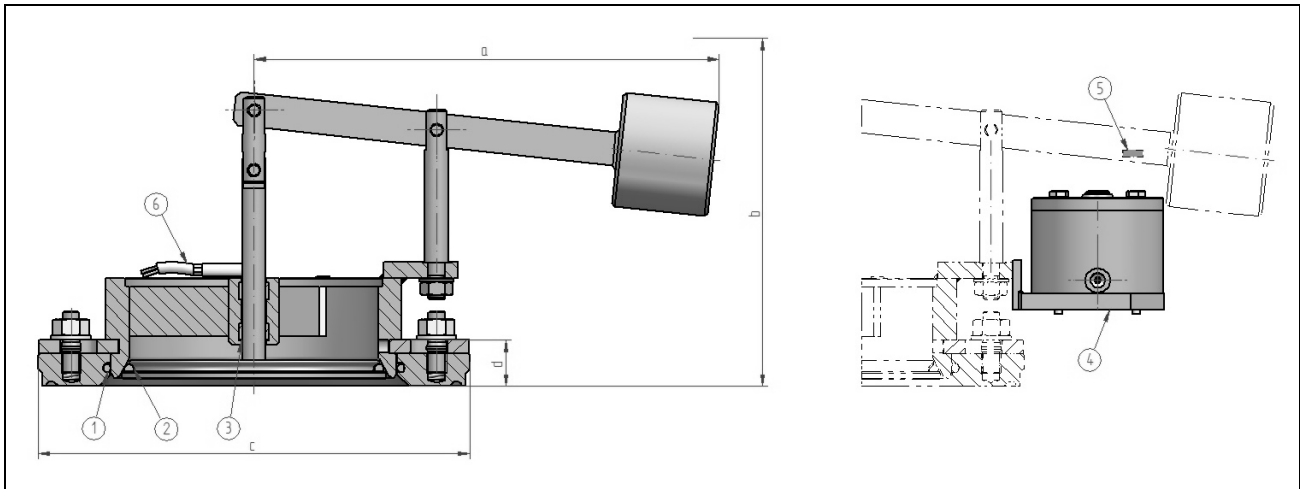
## Vacuum valve (weight loaded)

12504,12818,12819

### Pneumatic lifting device:

- Lifting of the vacuum valve during tank CIP (depressurized tank, pressure <0,1 bar)
- Stroke of the lifting cylinder pre-adjusted ex works (approx. 3 mm)
- Pressurized air supply max. 6 bar, air hose 6/4 mm
- Air inlet throttle to be adjusted during commissioning
- Proximity switch to be installed and adjusted during commissioning

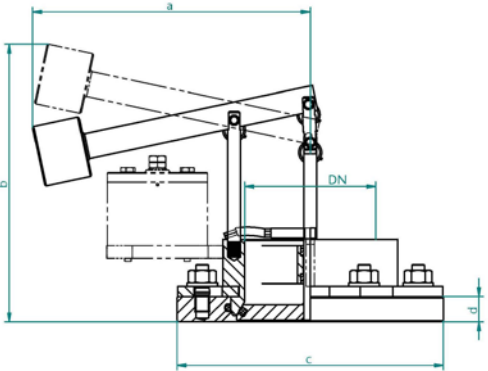
### Valve types and dimensions

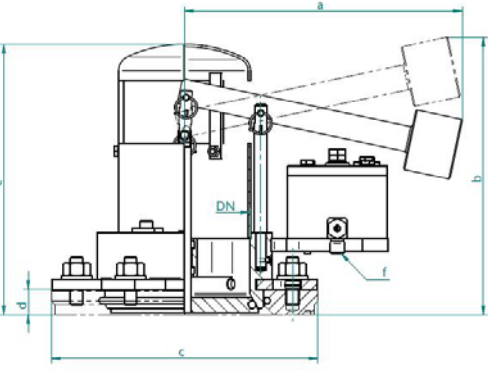


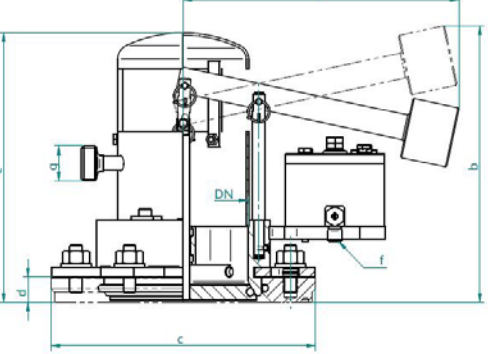
1	Flange O-ring	2	Seat O-ring
3	Guide band	4	Lifting piston
5	Position indicator	6	Heating cartridge

## Vacuum valve (weight loaded)

12504,12818,12819

12504	DN	a [mm]	b [mm]	c	d
	80	141	180	210	20
	100	218	220	210	20
	150	280	225	260	20
	200	370	270	310	20
	300	445	295	430	20
	400	540	340	540	23

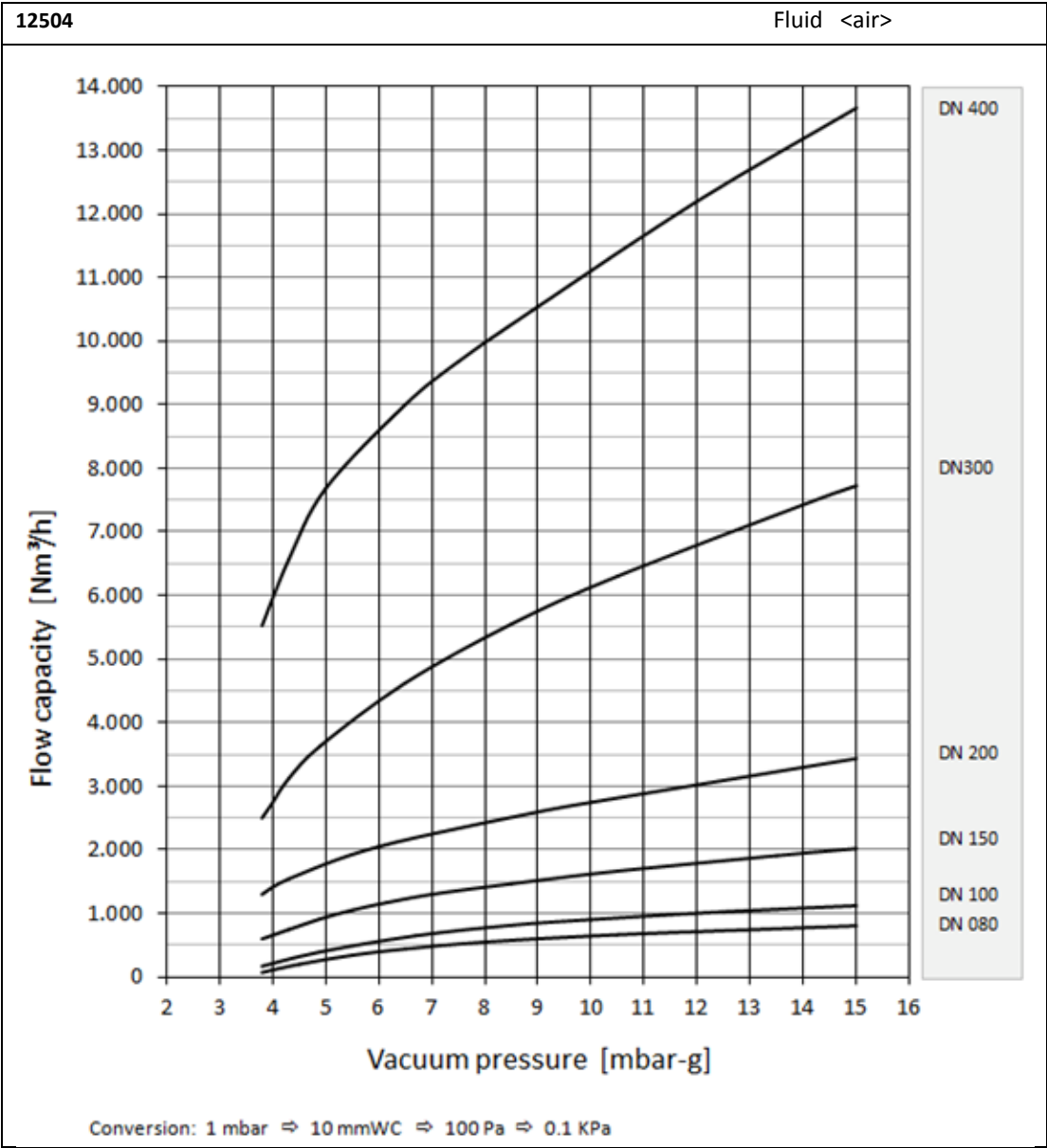
12818 (VV 12504 with splash guard)	DN	a [mm]	b [mm]	c	d
	80	190	190	210	20
	100	220	220	210	20
	150	280	265	260	20
	200	370	280	310	20
	300	445	297	430	20
	400	540	344	540	23

12819 (VV 12504 with jet pipe)	DN	a [mm]	b [mm]	c	d
	80	190	190	210	20
	100	220	220	210	20
	150	280	265	260	20
	200	370	280	310	20
	300	445	297	430	20
	400	540	344	540	23

**Vacuum valve (weight loaded)**

**12504,12818,12819**

**Flow capacity**



**Vacuum valve (weight loaded)**

**12504,12818,12819**

