

Safety relief valves/Overpressure valves

33543

Description

Safety relief valves/overpressure valves are used in the beverage and food processing industries, as well as in the chemical-pharmaceutical industry.

Safety relief valves/overpressure valves :

- protection of pressurized systems against overpressure
- are not subject to the Pressure Equipment Directive 97/23/EC (no CE marking)
- may be used for the intended purpose only
- are designed under consideration of AD 2000/A2 and EN ISO 4126-1

Valve data

Type	Safety relief valve/Overpressure valve
Type of functioning	Opens with pressure/closes with weight force
Order code	33543

Product range

Materials	Stainless steel 1.4307
Seals	Silikon (Si 50, FDA proof)
Surface	≤ 0.8 µm

Other parts

Materials	Stainless steel 1.4301, 1.4307
Seals	EPDM
Surface	precision-turned, matte

Production

Fluids (nontoxic)	Air/gases (Group II, PED 2014/68/EU)
Operating pressure	0.1 bar
Temperature	bis 140°C (sealing material)
Connection	G ¼ (optional with sleeve)



Safety relief valves/Overpressure valves

33543

Valve construction

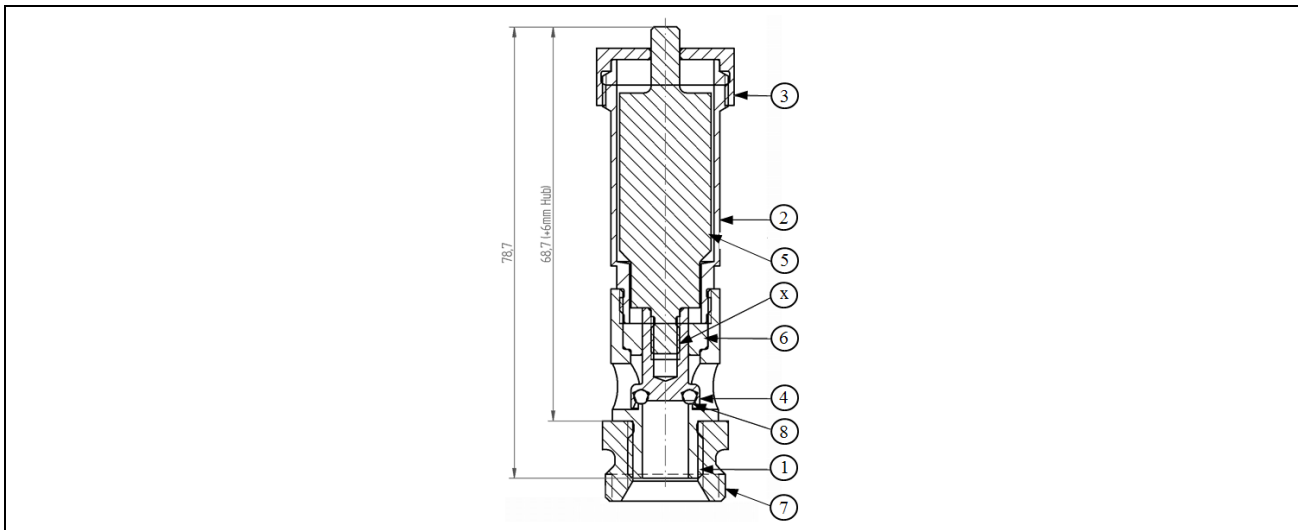


Fig. 1: Type 33543

1	valve housing	5	spring / weight
2	upper valve body	6	bush
3	housing cover	7	Adapter G ¼" – ½"
4	Valve disk	8	O-ring

Performance data

pressures	overpressure	flow rate
set pressure	100 mbar	
opening pressure	110 mbar	
closing pressure	60 mbar	
	130 mbar	18 Nm ³ /h
	150 mbar	20 Nm ³ /h