

Safety relief valve, spring-loaded

32503/32504/32524/32603/32604/32624

Description

Safety relief valves are used in the beverage and food processing industries, as well as in the chemical-pharmaceutical industry.

Safety relief valves:

- protection of pressurized systems against overpressure
- subject to the Pressure Equipment Directive 2014/68/EU
- may be used for the intensified purpose only
- fulfil the requirements of AD 2000/ A2 and DIN EN ISO 4126-1

CE 0062



Valve types

Type	Fluids	Lifting manual	Liftung pneumatic	Seals EPDM / FKM	Proximity switch	Heating cartridge
32503	G/D	x		X / ⊗		⊗
32504, 32524	F/G/D	x		X / ⊗		⊗
32603	G/D		x	X / ⊗	⊗	⊗
32604, 32624	F/G/D		x	X / ⊗	⊗	⊗

Liquids (F), Air/Gases (G), Steam (D)

⊗ optional

32524/32624 type in DN25 with special flanges DN40

Valve data

Type	Safety valve
Type of functioning	Opens with pressure/closes with spring force
Order code	325xx/326xx/32010

Product range

Materials	Stainless steel 1.4404 (type 32010 – 1.4307)
Seals	EPDM, optionally FKM/FPM (all FDA proof)
Surface	≤ 0.8 µm

Other parts

Materials	Stainless steel 1.4301, 1.4307
Seals	EPDM
Surface	Precision-turned, matte

Production / CIP

Applications	Free outflow
Fluids (nontoxic)	Fluids/gases/vapours (Group II, PED 2014/68/EU) Readily commercially-available CIP cleaning media with 2-4 % lye/acid
Performance data	Performance data within 10 % pressure increase
Operating pressure	PS min/max 0/10 bar-g
Temperature	TS min/max -20/160 °C
Control air pressure	5 – 7 bar, compressed air connection Ø 6/4 mm

Safety relief valve, spring-loaded

32503/32504/32524/32603/32604/32624

Valve construction

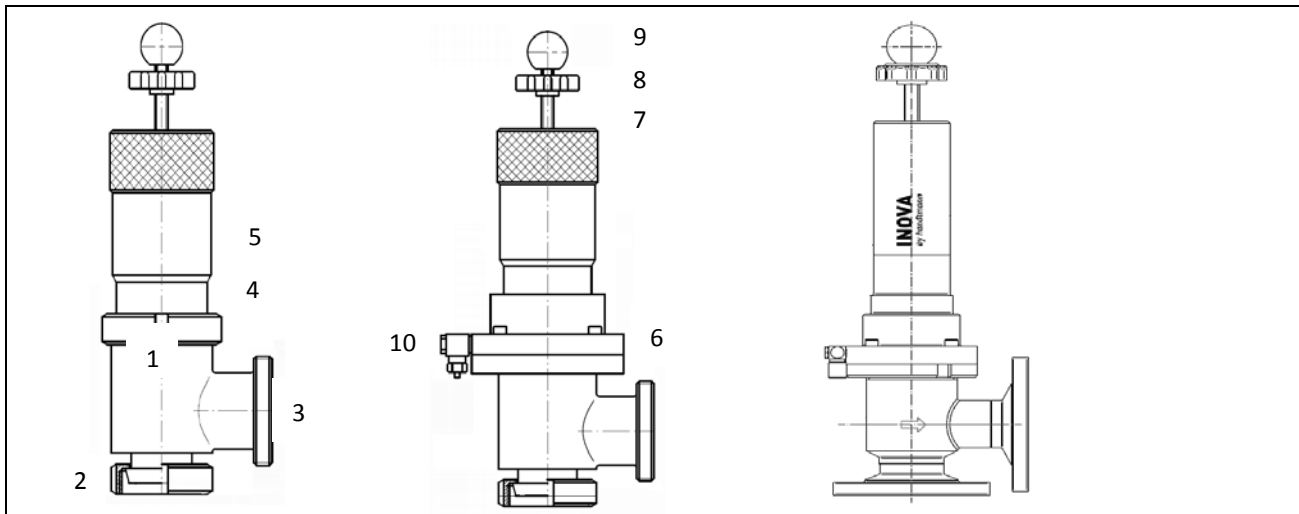


Fig. 1: Type 32503, 32504

32603, 32604

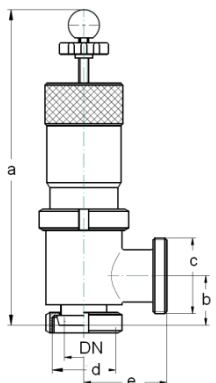
32524, 32624

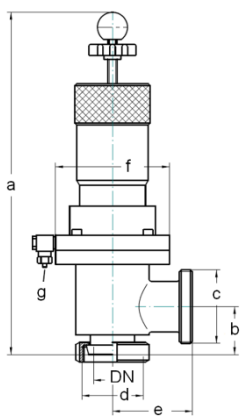
- | | | | |
|---|-----------------------------------|----|---------------------------|
| 1 | valve housing | 6 | pneumatic actuator |
| 2 | valve inlet [E] – supply pipe | 7 | valve rod |
| 3 | valve outlet [A] - discharge pipe | 8 | star grip/lifting nut |
| 4 | upper valve body | 9 | ball knob/cap nut |
| 5 | upper part case (adjustment) | 10 | compressed air connection |

Safety relief valve, spring-loaded

32503/32504/32524/32603/32604/32624

Dimensions

AH-SV-32503 / 32504	DN [E]	DN [A]	a [mm]	b [mm]	c [Rd.Gew]	d [Gew]	e [mm]	pressure [bar]	weight [kg]	
	32503									
	15	25	270	48	52 x 1/6"	34 x 1/8"	65	0,5 - 7,0	1,6	
	25	32	325	47	58 x 1/6"	52 x 1/6"	73	0,5 - 10,0	2,2	
	40	50	330	51	78 x 1/6"	65 x 1/6"	85	0,5 - 6,0	4,2	
	32504									
	25	40	393	58	58 x 1/6"	52 x 1/6"	73	0,5 - 10,0	2,2	
	40	50	472	79	78 x 1/6"	65 x 1/6"	85	0,5 - 5,0	4,2	
valve lift: max. 10 mm 32524 comparable dimension but with special flange										

AH-SV-32603 / 32604	DN [E]	DN [A]	a [mm]	b [mm]	c [Rd.Gew]	d [Gew]	e [mm]	pressure [bar]	weight [kg]	
	32603									
	15	25	290	48	52 x 1/8"	34 x 1/8"	65	0,5 - 7,0	1,9	
	25	32	350	47	58 x 1/6"	52 x 1/6"	73	0,5 - 10,0	3,0	
	40	50	370	51	78 x 1/6"	65 x 1/6"	85	0,5 - 6,0	6,7	
	32604									
	25	40	350	47	58 x 1/6"	52 x 1/6"	73	0,5 - 10,0	3,0	
	40	50	370	51	78 x 1/6"	65 x 1/6"	85	0,5 - 5,0	6,7	
valve lift: max. 10 mm g: compressedair connection \varnothing : 6/4 mm 32624 comparable dimension but with special flange										

Safety relief valve, spring-loaded

32503/32504/32524/32603/32604/32624

Performance data

Fluid: water					
32503/32603			32504/32604 32524/32624		32504/32604
pressure [bar-g]	throughput [kg/h]				
	DN 15	DN 25	DN 40	DN 25	DN 40
1	---	---	---	6.795	13.656
2	---	---	---	9.609	19.313
3	---	---	---	11.768	23.653
4	---	---	---	13.589	27.312
5	---	---	---	15.193	30.536
6	---	---	---	16.643	---
7	---	---	---	17.977	---
8	---	---	---	19.218	---
9	---	---	---	20.384	---
10	---	---	---	21.486	---

Fluid: air					
32503/32603			32504/32604 32524/32624		32504/32604
pressure [bar-g]	throughput [Nm ³ /h]				
	DN 15	DN 25	DN 40	DN 25	DN 40
1	35	104	211	104	211
2	53	158	321	158	321
3	71	213	430	213	430
4	89	267	540	267	540
5	107	321	650	321	650
6	---	375	760	375	----
7	---	430	---	430	----
8	---	484	---	484	----
9	---	538	---	538	----
10	---	592	---	592	----

Fluid: steam					
32503/32603			32504/32604 32524/32624		32504/32604
pressure [bar-g]	throughput [kg/h]				
	DN 15	DN 25	DN 40	DN 25	DN 40
1	26	79	160	79	160
2	40	119	241	119	241
3	53	158	320	158	320
4	66	198	400	198	400